

LIBRARY ORIENTATION

SEPTEMBER 2023



Virtual Tour

Virtual tour of the Library - KPC NEW



WELCOME TO TWC LIBRARY!





On-site

Library at 5-6/F KP Campus
Learning Resources Centre at KH
Campus



Book Return (24x7)

5/F, KP Campus
Foyer@G/F, KPC
Lift Lobby@Tower B, MKC
Near the entrance of 1608A, KHC



Online



e-Library (24x7) via



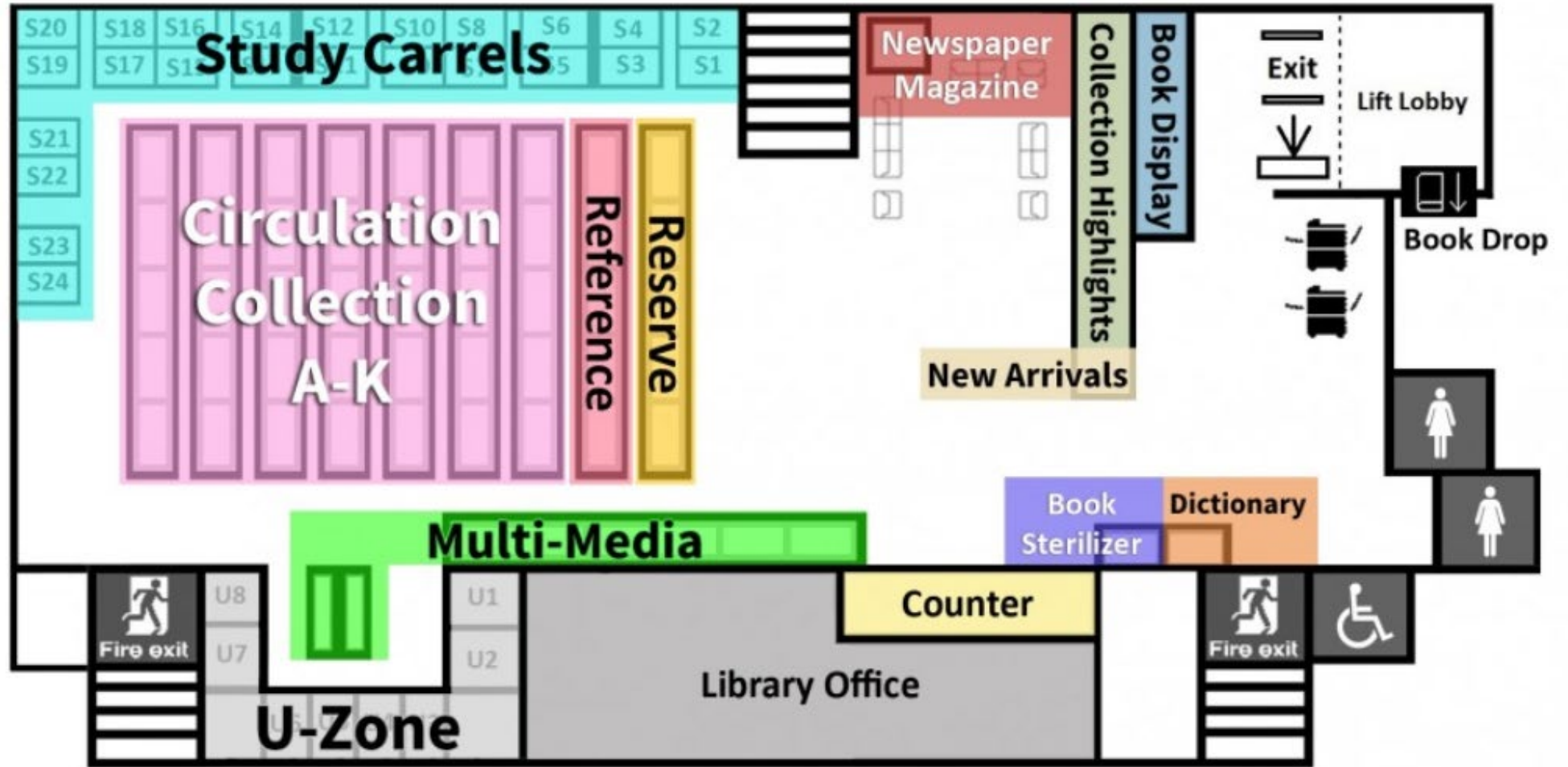
-Library website



-TWC Search (Engine)

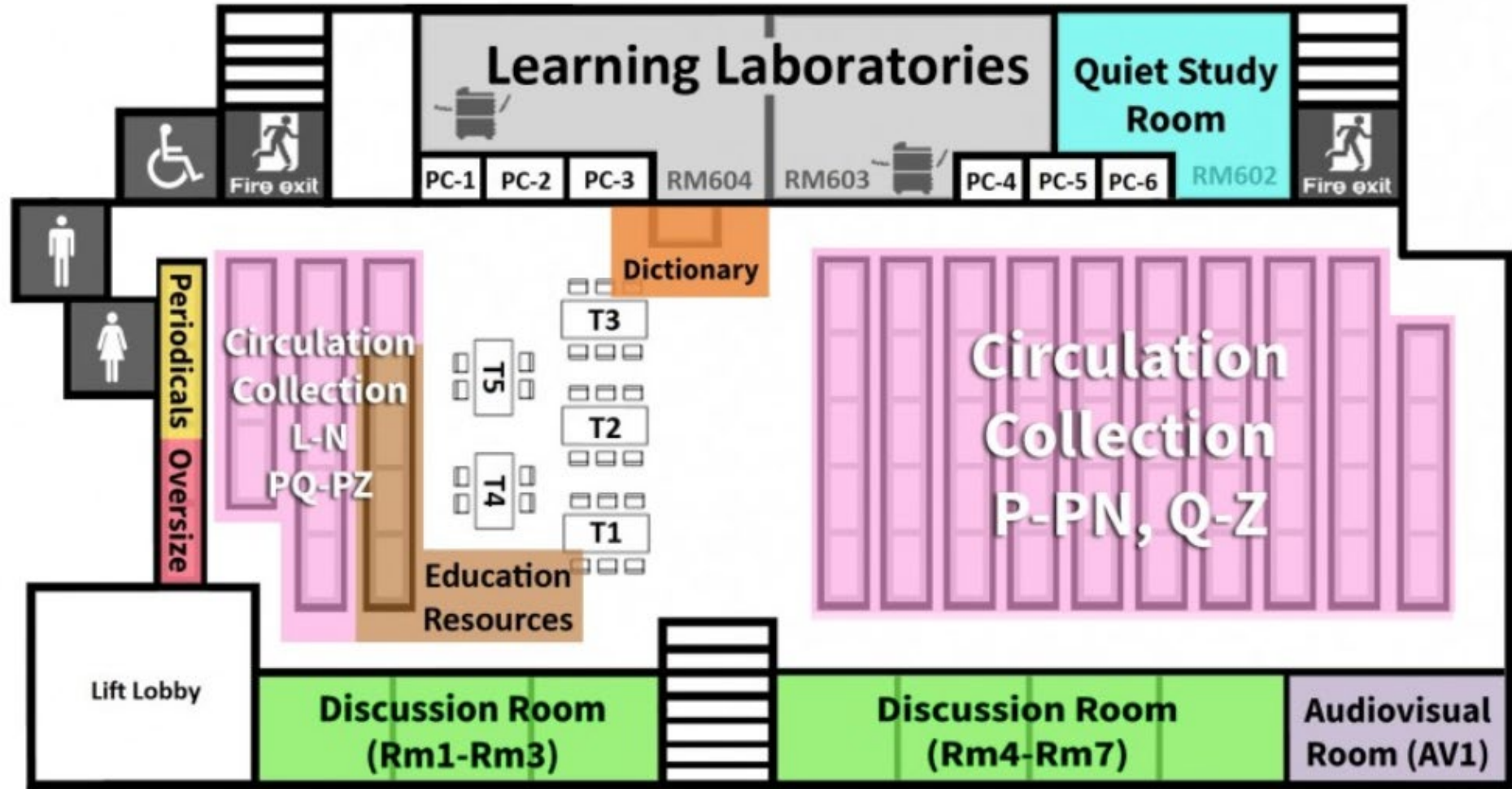
ACCESS POINTS

5/F

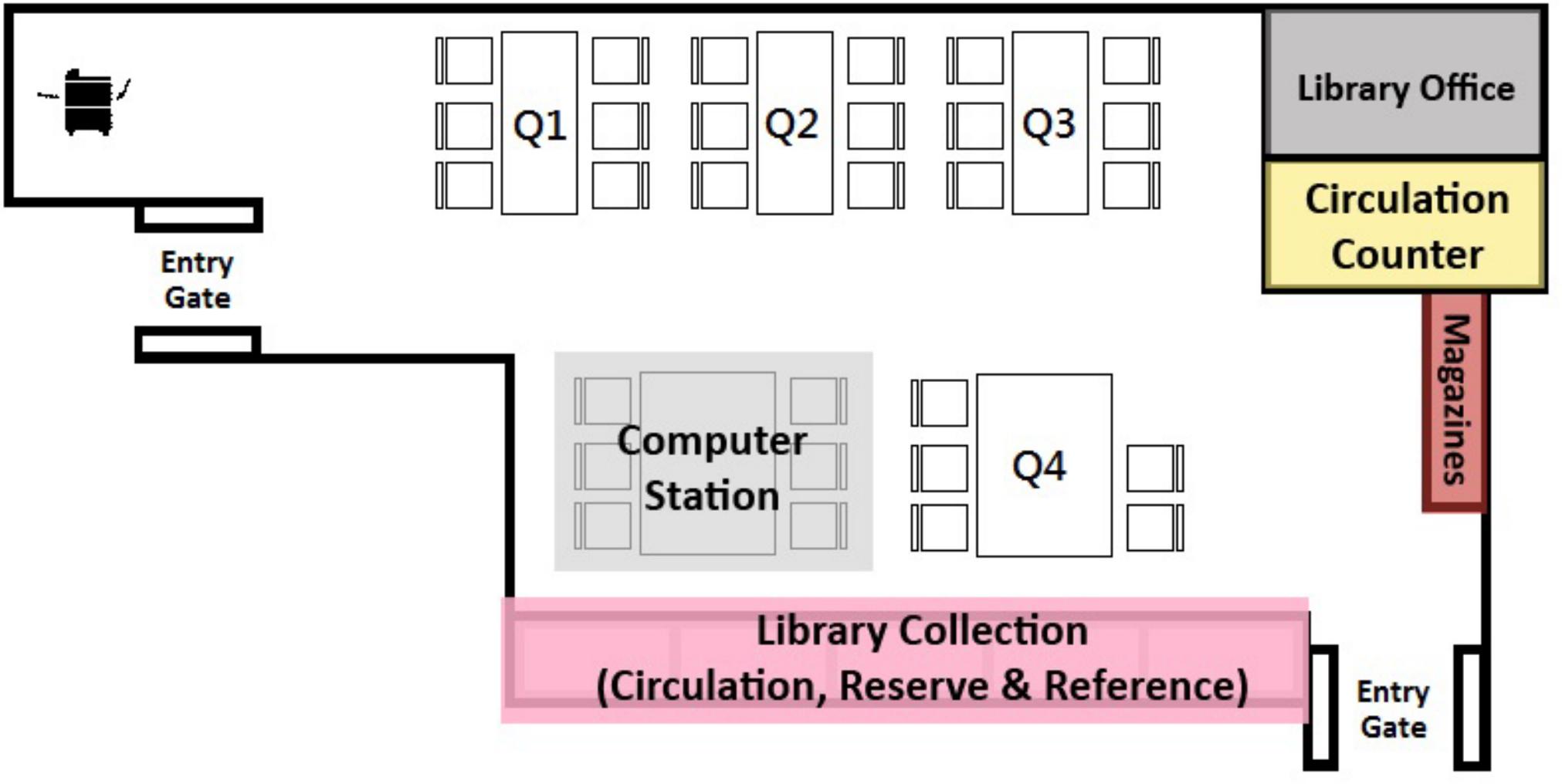


KPC LIBRARY 5/F LAYOUT PLAN

6/F



KPC LIBRARY 6/F LAYOUT PLAN



KHC LIBRARY LAYOUT PLAN

PHYSICAL COLLECTION

Circulation Collection

- Mainly books for normal loan

Reserve Collection

- Essential readings or materials reserved for I-Day.

Periodicals

- Scholarly journals, professional and trade journals, magazines, as well as newspapers

Multi-media Collection

- Mainly DVDs and DVD-ROMs

- The **FIRST** Page covers >80% of your need!

Library

About LIB

Our Services

News and Events

Library Catalogue

E-Resources

Collections

Guides and Tutorials

Our Facilities

Contact Us

Library

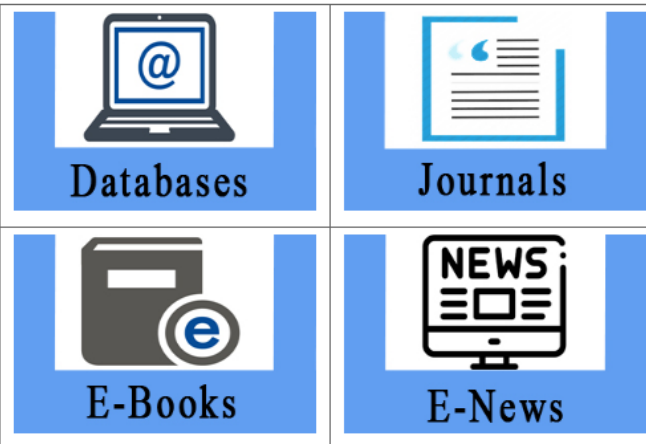
TWC Search

Keywords search for everything

Search

Find Books, Journals, DVDs and more by typing keywords
Find Course materials by typing course code, e.g. NUR3001

Find



Need help? Contact us

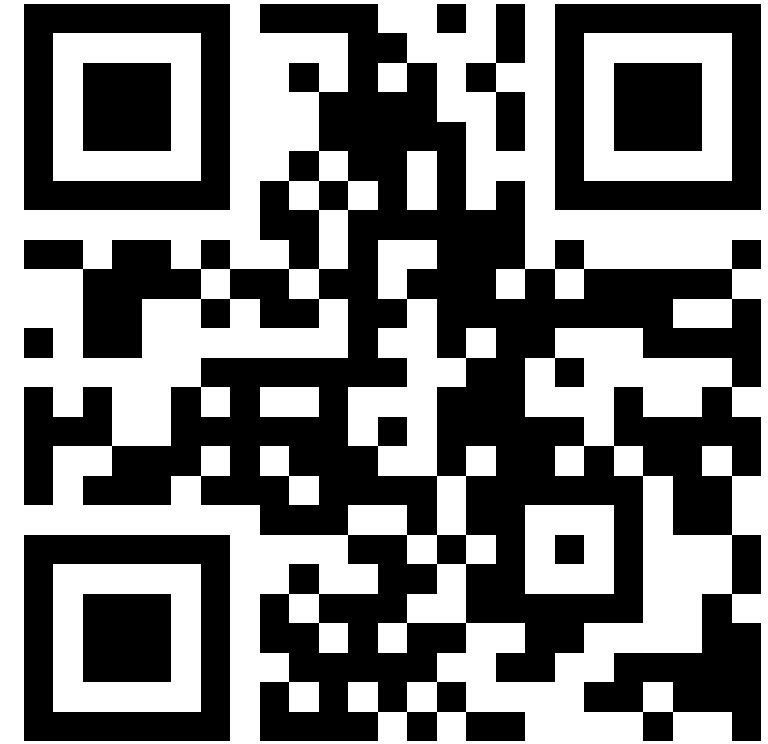
Counter: 5/F, KPC

Phone: 3190-6650

Email: lb@twc.edu.hk



One-stop **SEARCH**
for library resources



TWC SEARCH



New Search

Database A to Z

Journal Search

Browse Search

Collection Discovery

Library Homepage

...



nur1019



TWC Search - search for all



ADVANCED SEARCH

Find Books, Journals, DVDs and more by typing keywords
Find Course materials by typing course code, e.g. NUR3001

Course textbooks & reference materials

- Type course code and search
- Including both Reserve and Circulation Collection
- Access point to TWC Examination paper



JOURNAL

Examination paper **NUR1019** : Anatomy and physiology /

Tung Wah College.

Hong Kong : Tung Wah College; 2011

COURSE

[Available Online](#) >



BOOK

Vander's human physiology : the mechanisms of body function /

Widmaier, Eric P. author.; Raff, Hershel, 1953-; Strang, Kevin T.; Shoeppe, Todd C.; Vander, Arthur J., 1933-
New York, NY : McGraw-Hill Education; 2019

Fifteenth edition, International student edition


COURSE

[Available at King's Park Campus Library Circulation Collection \(QP34.5 .V36 2019\) and other locations](#) >

[Available Online](#) >

TWC SEARCH – SUBJECT GUIDE

medical science

X / TWC Search - search for all 

ADVANCED SEARCH

Refine My Results

Expand My Results

Sort by Relevance ▼

Library ▲

King's Park Campus Library (1,422)

SUGGESTED DATABASE

AccessPhysiotherapy

[Click to access](#)

Includes e-textbooks related anatomy, Physiotherapy. In the multimedia section, user would access to the interactive database: Anatomy & Physiology Revealed.

SUGGESTED DATABASE

Expertpath

[Click to access](#)

With expert-selected images, this image database covers all areas of anatomic and clinical pathology and include key information such as differential lists, ancillary tests, image galleries, and specimen-handling protocols.

LIBRARY GUIDES

[Basic Medical Sciences](#)

[See all 12 suggested resources](#)

- **Subject Guide**
- Esp. for your Major!
- Try:
 - “Medical Science”
 - “Nursing”
 - “English”
 - “Career”
 - “Research Method”

SEARCH RESULTS FROM TWC SEARCH

microbiology|

X / TWC Search - search for all



▶ Try the filter below to find your resources

Library ^

King's Park Campus Library (294)

Kwai Hing Campus Library (11)

Location ^

Circulation Collection (281)

Circulation Collection(KHC) (8)

Multi Media (2)

New Arrivals (4)

Reserve (3 Days) (8)

Show More

Availability ^

Available online

Peer-reviewed Journals

Open Access

Held by library

Available On Shelf

Resource Type ^

Articles (3,529,247)

Review Articles (243,606)

Newsletter Articles (103,932)

Dissertations (47,912)

Reviews (21,501)

Book Chapters (10,233)

Magazine Articles (5,927)

Retracted Publications (3,265)

Books (3,035)

▶ eBooks

- Online reading
- ▶ Remote Access
- ▶ Anytime, anywhere with Internet
- ▶ **Academic Journal Articles!**
- ▶ Research for your topic
- ▶ Helpful for
 - Assignment
 - Research proposal
 - Literature review
 - Capstone Project

TWC SEARCH

English



TWC Search - search for all



SUGGESTED DATABASE

Active Reading
[Click to access](#)

SUGGESTED DATABASE

Clear Pronunciation: Sound
[Click to access](#)

LIBRARY SUBJECT GUIDE

[English Language](#)

[See all suggested resources link](#)



English Learning!

- Road to IELTS
- Study Skills
- Writing
- Pronunciation
- Reading

ALL ELECTRONIC RESOURCES CAN BE ACCESSED REMOTELY OUTSIDE CAMPUS ~ LOGIN DETAILS = TWC EMAIL A/C



Electronic Resources

TERMS OF USE: The licensed electronic resources provided by the Tung Wah College (TWC) Library are for the educational and research use of TWC students and staff only. Commercial use, systematic or excessive downloading, or redistribution of electronic information outside of TWC is prohibited. Violations can result in suspension of access to the e-resource concerned for the college.

Please enter your username: @twc.edu.hk

Please enter your password:

Login

LIBRARY ORIENTATIONS & WORKSHOPS

Week 2 / Week 3



Orientations: to familiarize new student with the library resources



Workshops: to introduce library services and search skills for assignments



Reference management with Mendeley

PLEASE PAY ATTENTION TO
THE LATEST NEWS FROM
LIBRARY

Contact us

- Email: lb@twc.edu.hk
- Phone: 3190 6650



WhatsApp: 5575 1564



Facebook:

[東華學院圖書館 Tung Wah College Library](#)



Instagram:

[tungwahcollegelibrary](#)

